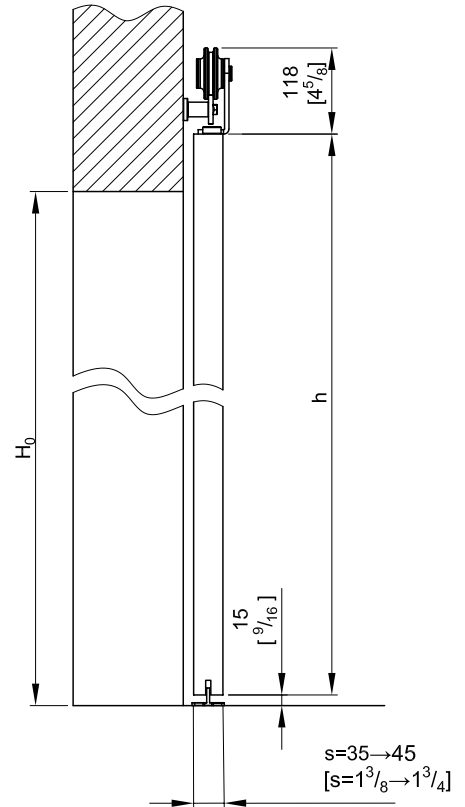
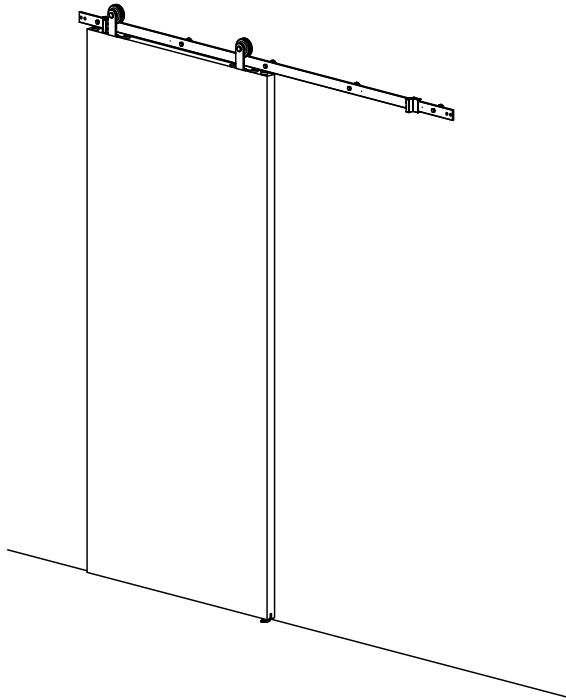
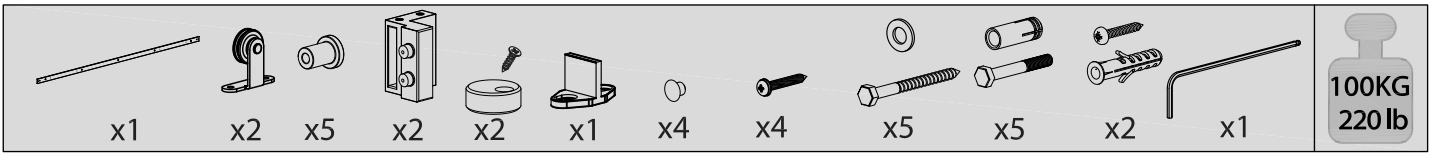


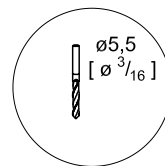
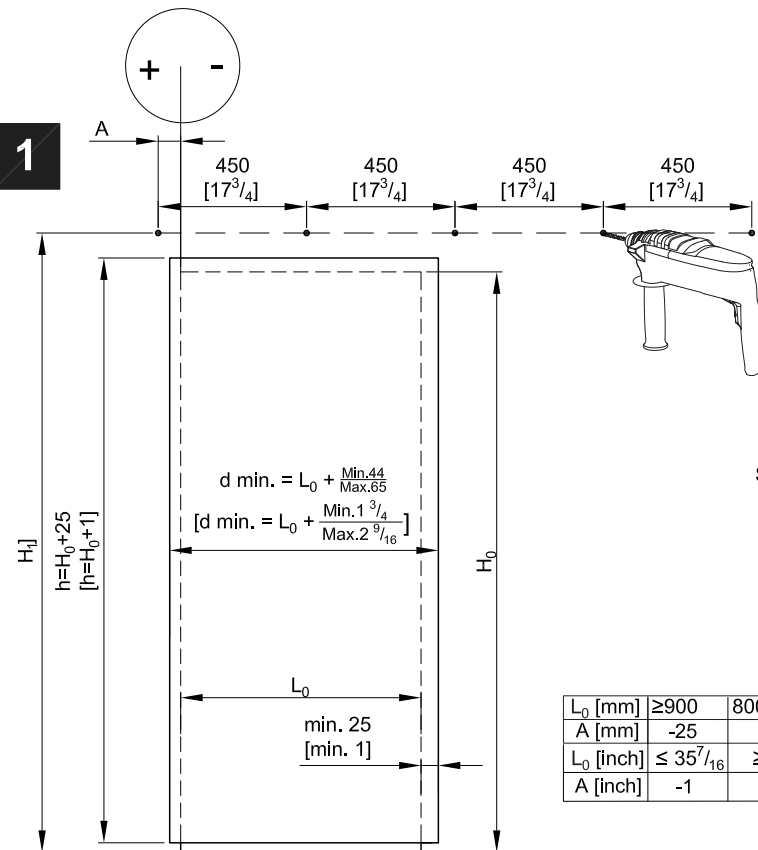
SLID'UP
by MANTION

INSTRUCTION DE MONTAGE
MONTAGEANLEITUNG
INSTRUCTIONS FOR ASSEMBLY
INSTRUCCIONES DE MONTAJE
INSTRUKCJA MONTAŻU

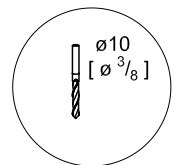
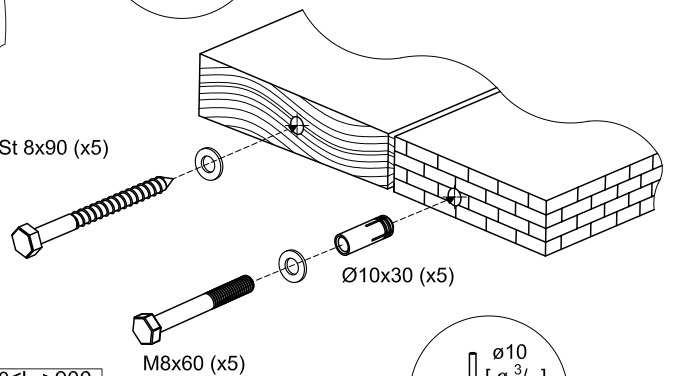
SLID'UP 240
SU5372



1



St 8x90 (x5)



L_0 [mm]	≥ 900	$800 \leq L_0 < 900$
A [mm]	-25	+40
L_0 [inch]	$\leq 35 \frac{7}{16}$	$\geq 31 \frac{1}{2}$
A [inch]	-1	$+1 \frac{9}{16}$

1°H₀ = const

$H_1 = H_0 + 73$
[$H_1 = H_0 + 2\frac{7}{8}$]

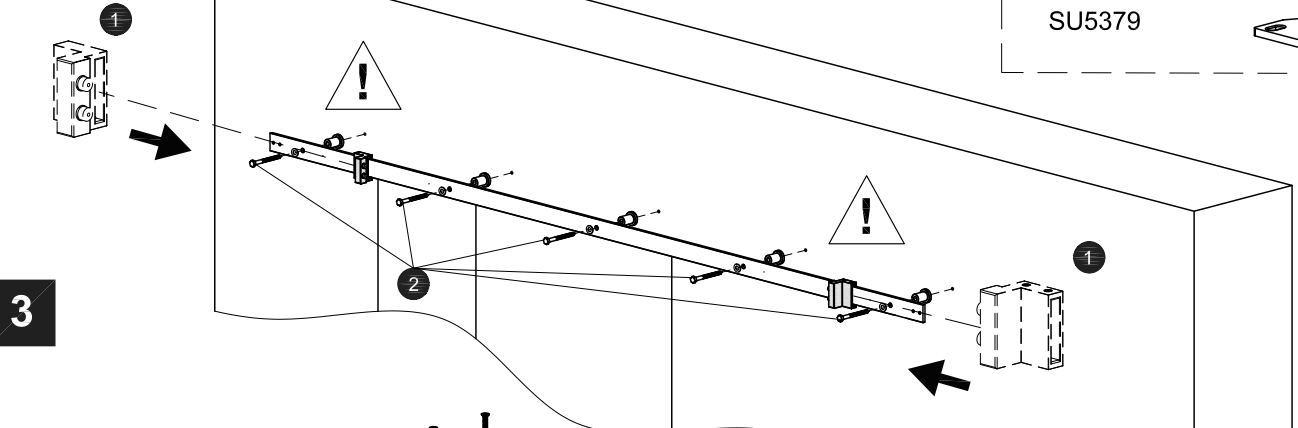
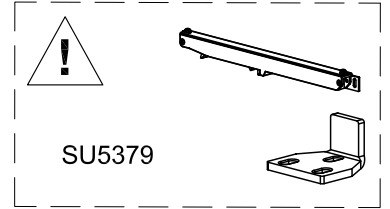
H₀

2°h = const

$H_1 = h + 48$
[$H_1 = h + 1\frac{7}{8}$]

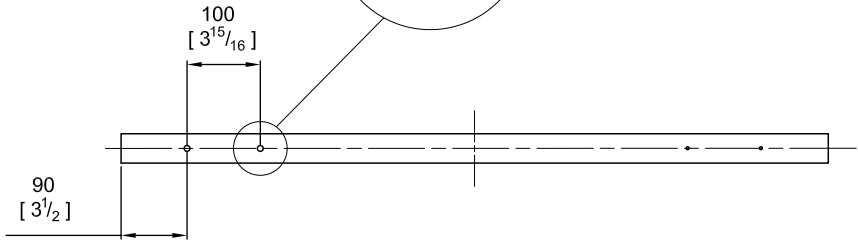
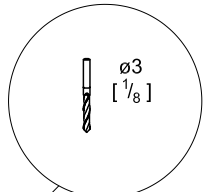
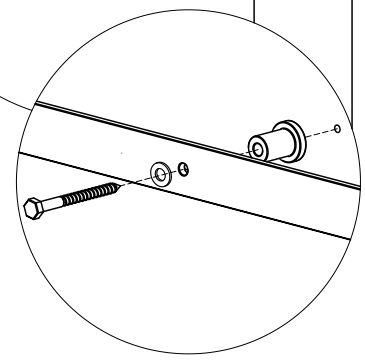
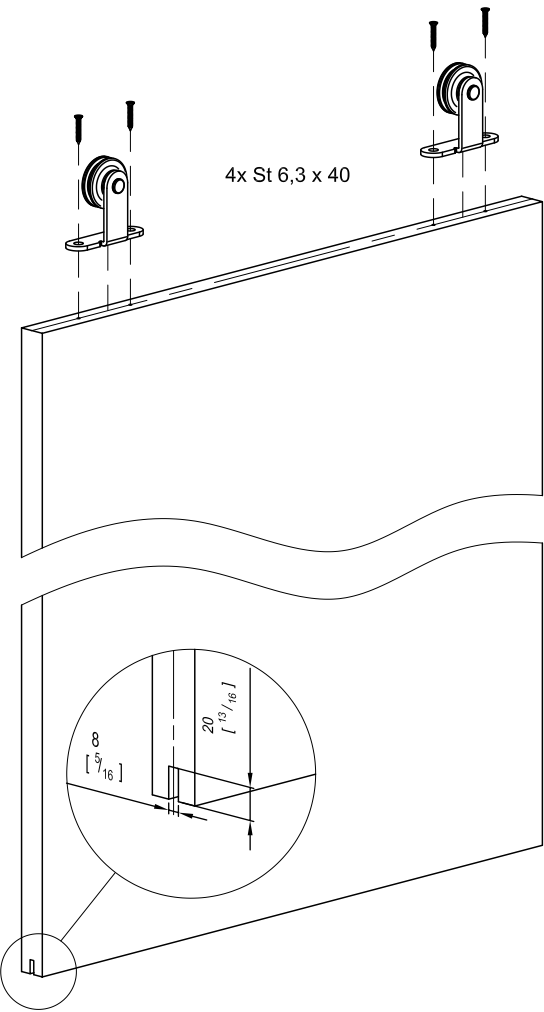
h

2

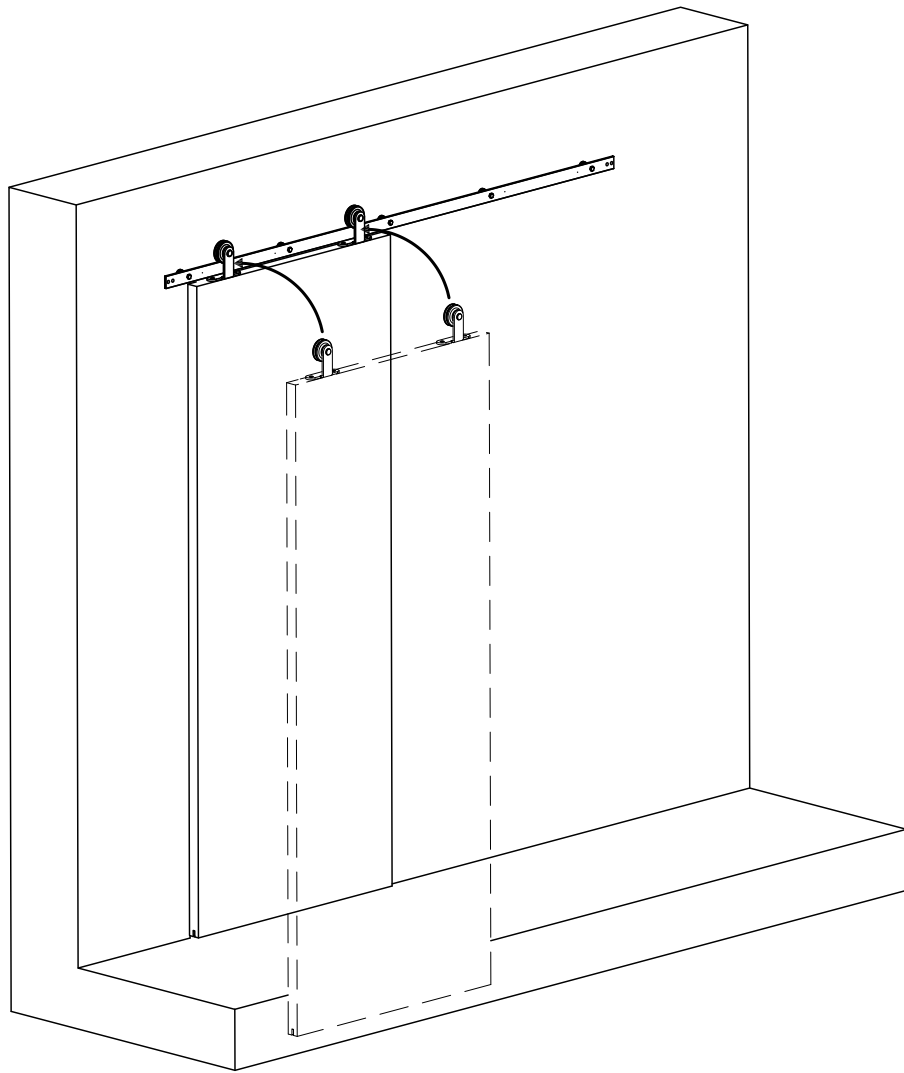


3

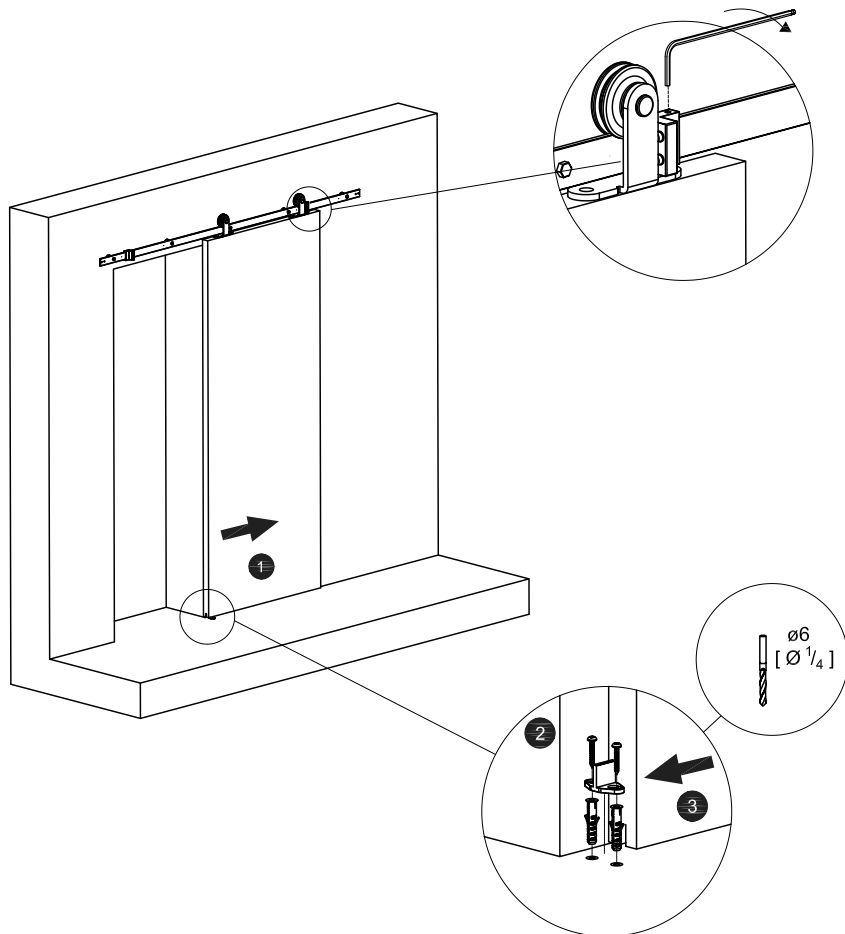
4x St 6,3 x 40



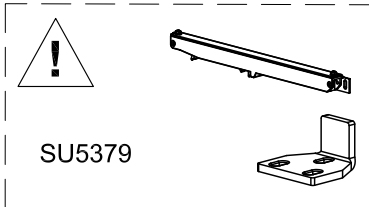
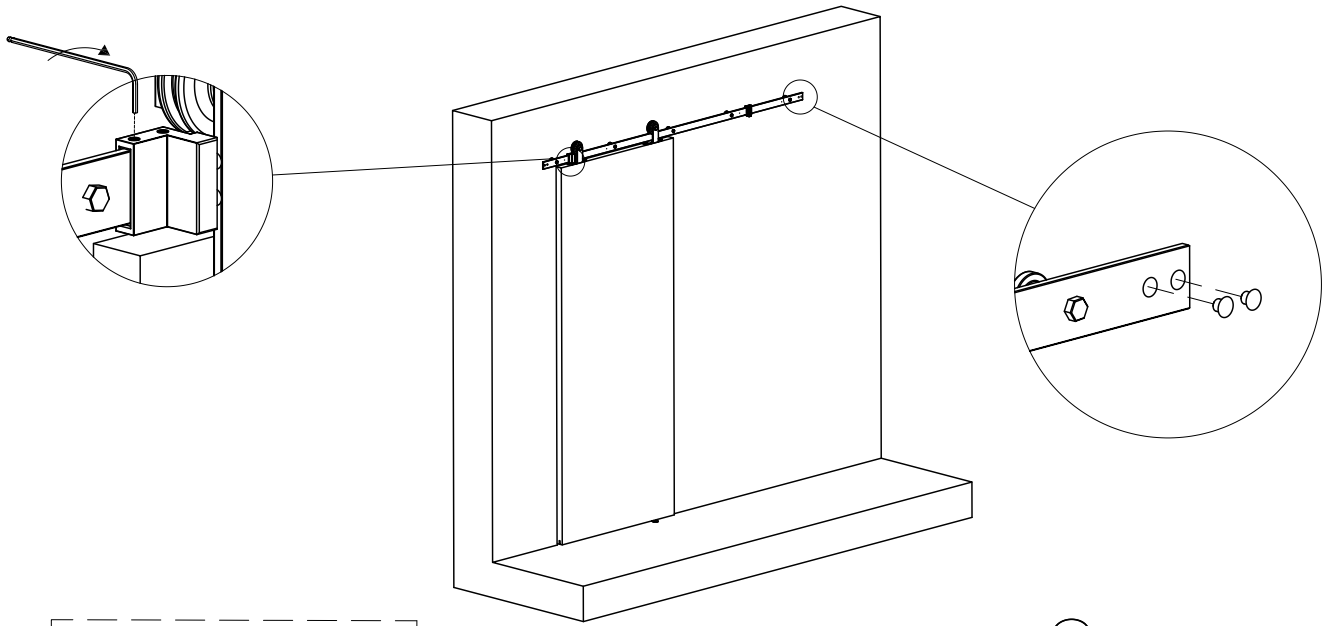
4



5



6



7

