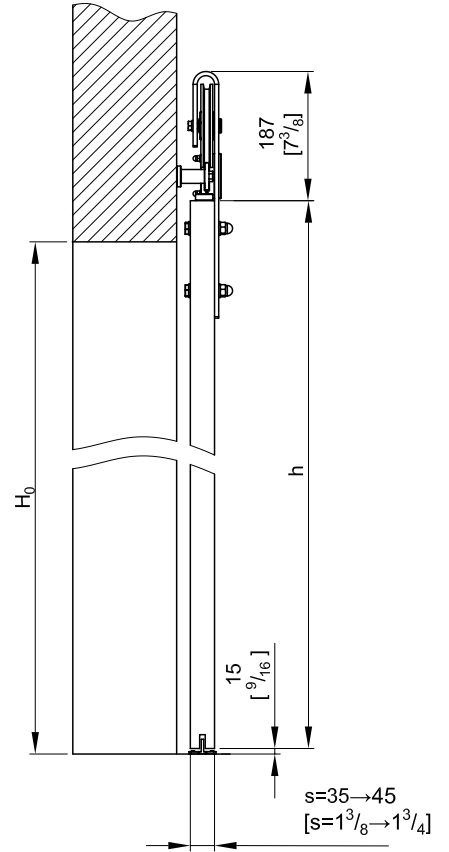
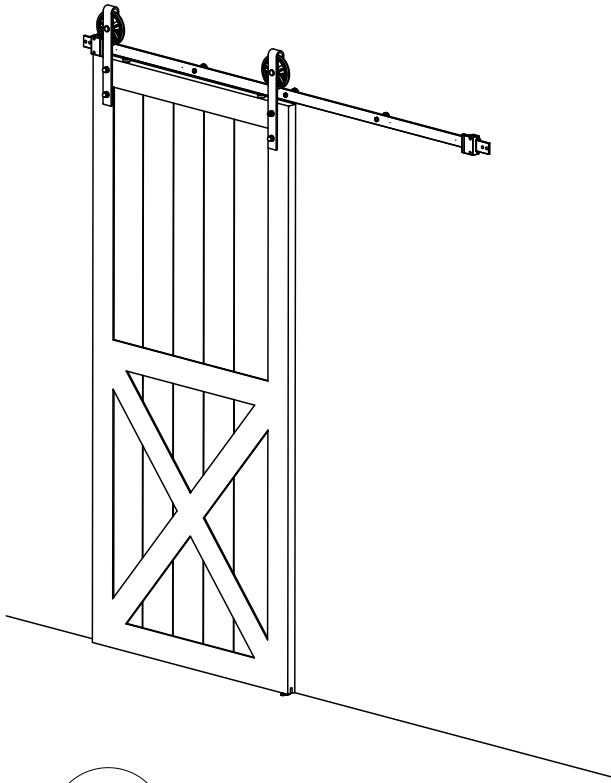
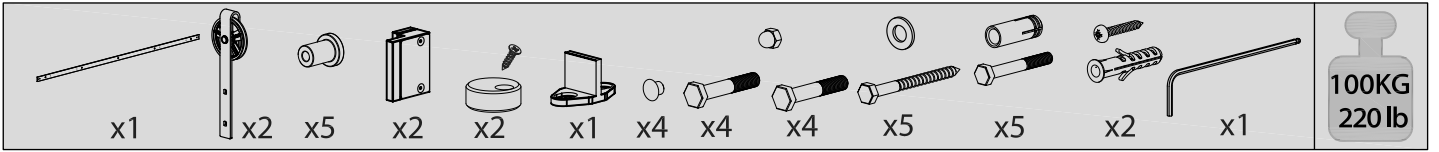


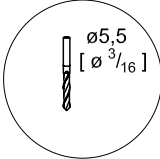
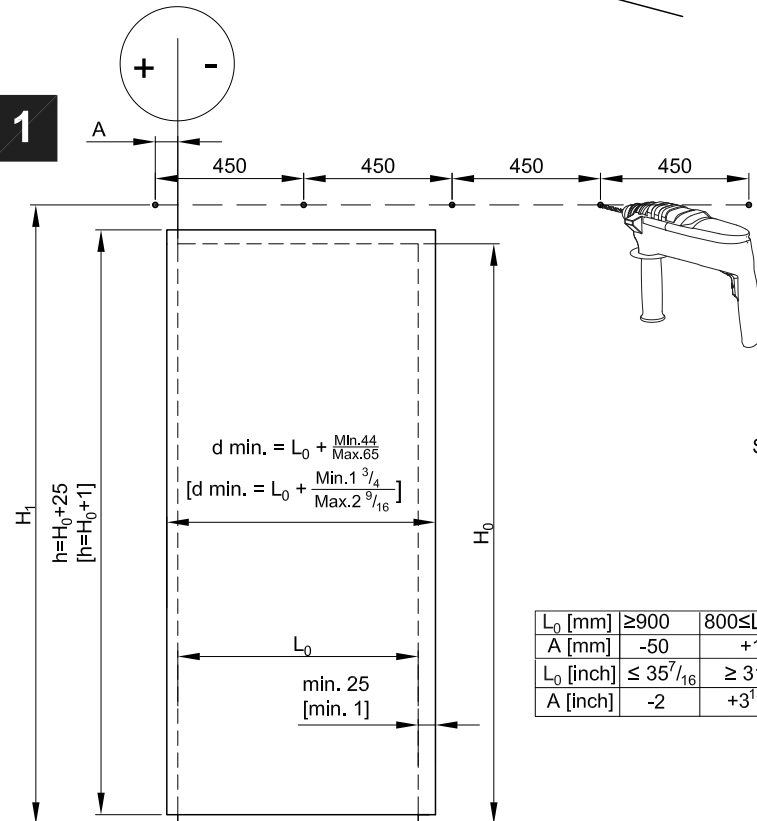
SLID'UP
by MANTION

INSTRUCTION DE MONTAGE
MONTAGEANLEITUNG
INSTRUCTIONS FOR ASSEMBLY
INSTRUCCIONES DE MONTAJE
INSTRUKCJA MONTAŻU

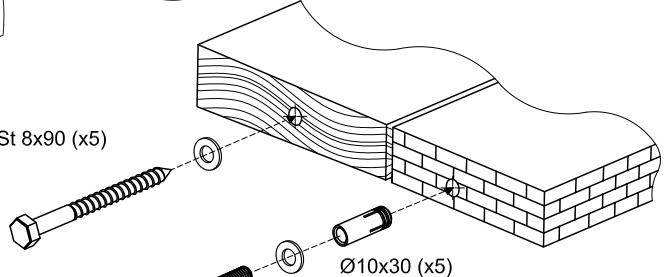
SLID'UP 240
SU5374



1

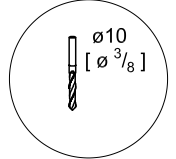


St 8x90 (x5)



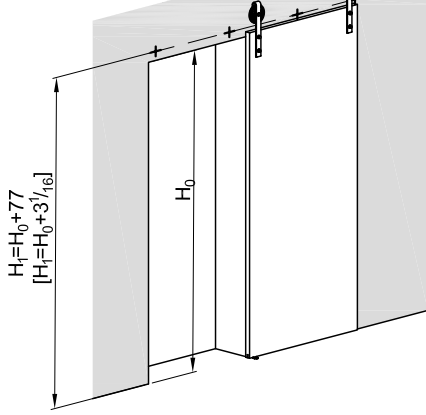
M8x60 (x5)

Ø10x30 (x5)

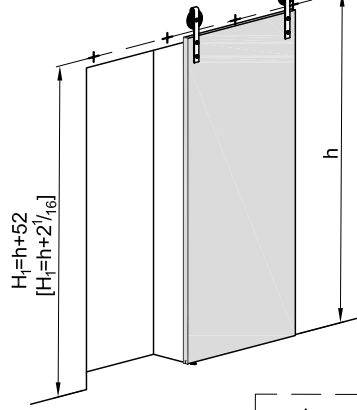


| | | |
|-----------------------|-----------------------------------|----------------------------------|
| L ₀ [mm] | ≥900 | 800 ≤ L ₀ < 900 |
| A [mm] | -50 | +100 |
| L ₀ [inch] | ≤ 35 ⁷ / ₁₆ | ≥ 31 ¹ / ₂ |
| A [inch] | -2 | +3 ¹⁵ / ₁₆ |

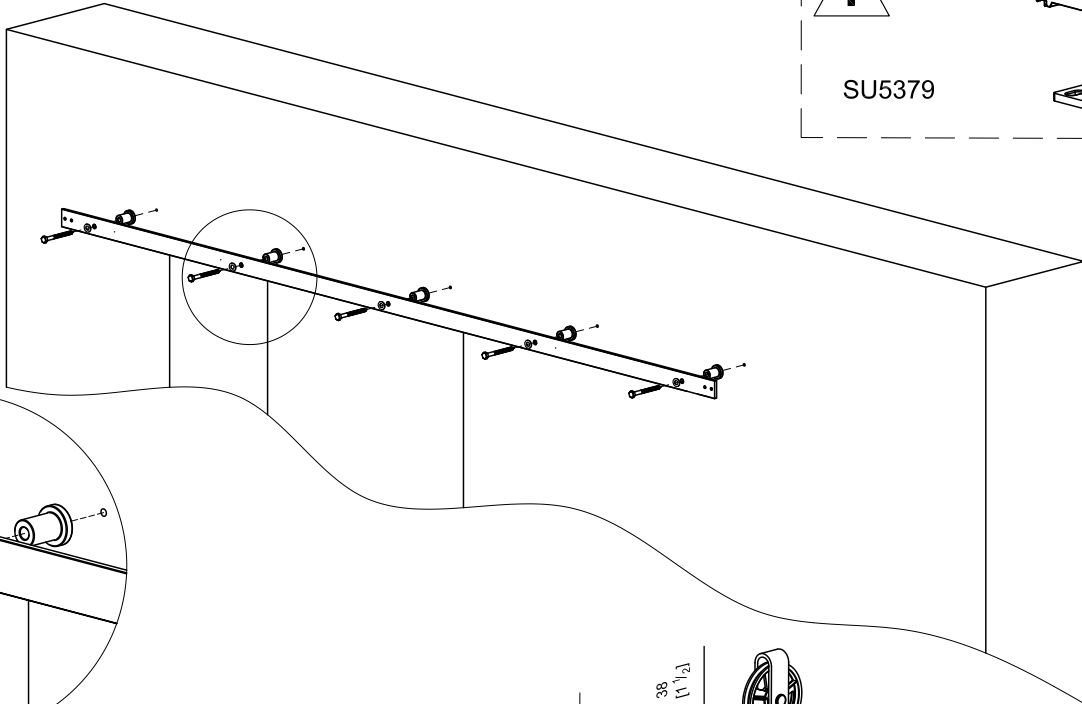
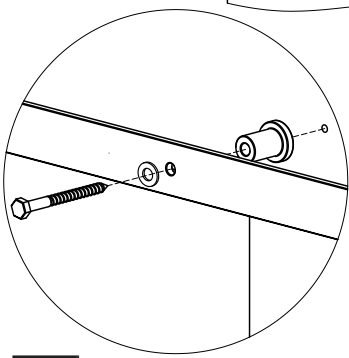
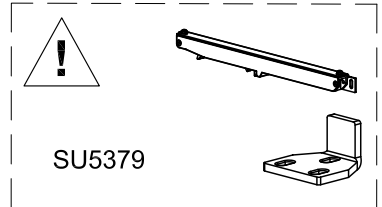
1°H₀ =const



2°h =const



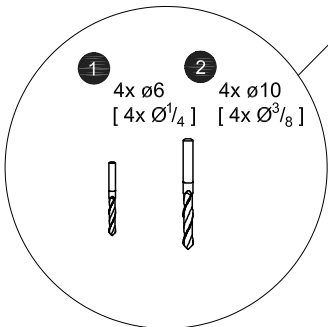
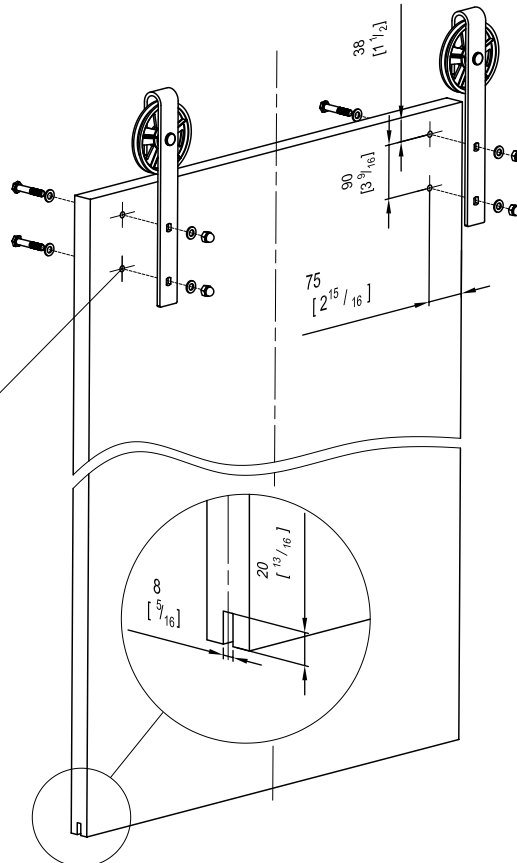
2



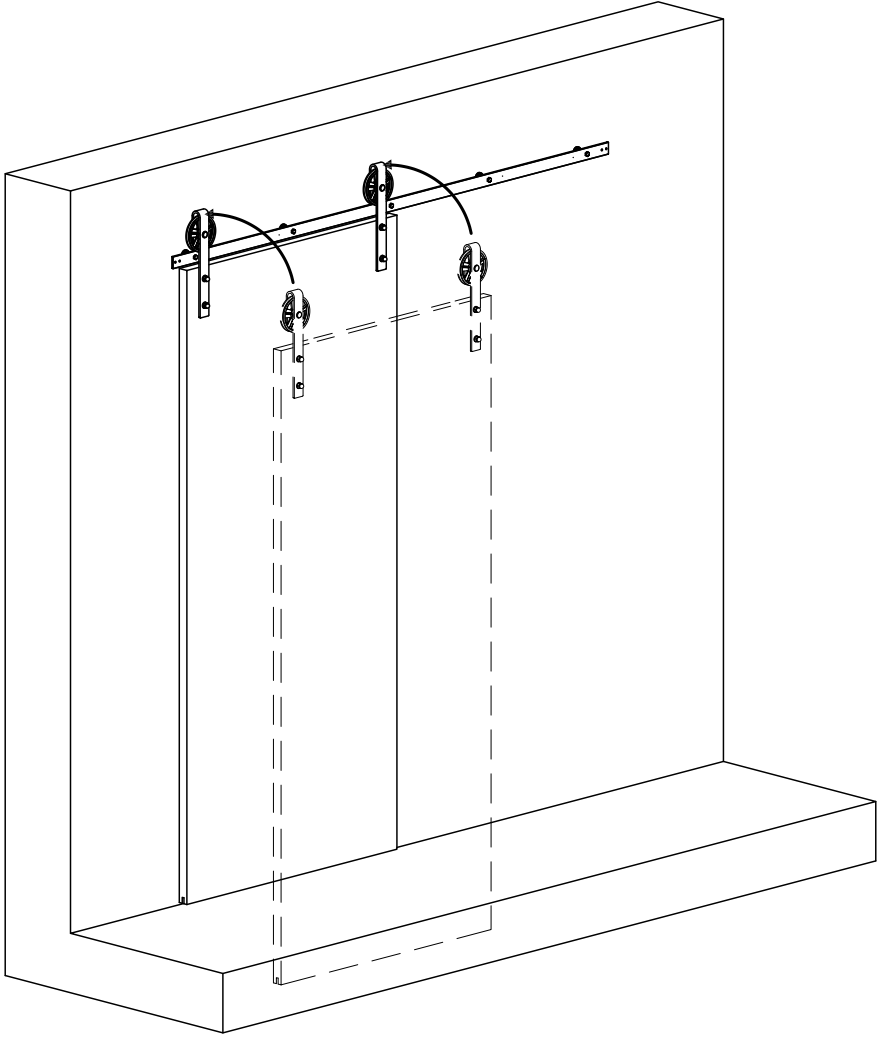
3

M10x55 s = $\begin{matrix} \text{Min. } 35 \\ \text{Max. } 40 \\ \text{Min. } 1\frac{3}{8} \\ \text{Max. } 1 \end{matrix}$
 $[s = \text{Max. } 1]$

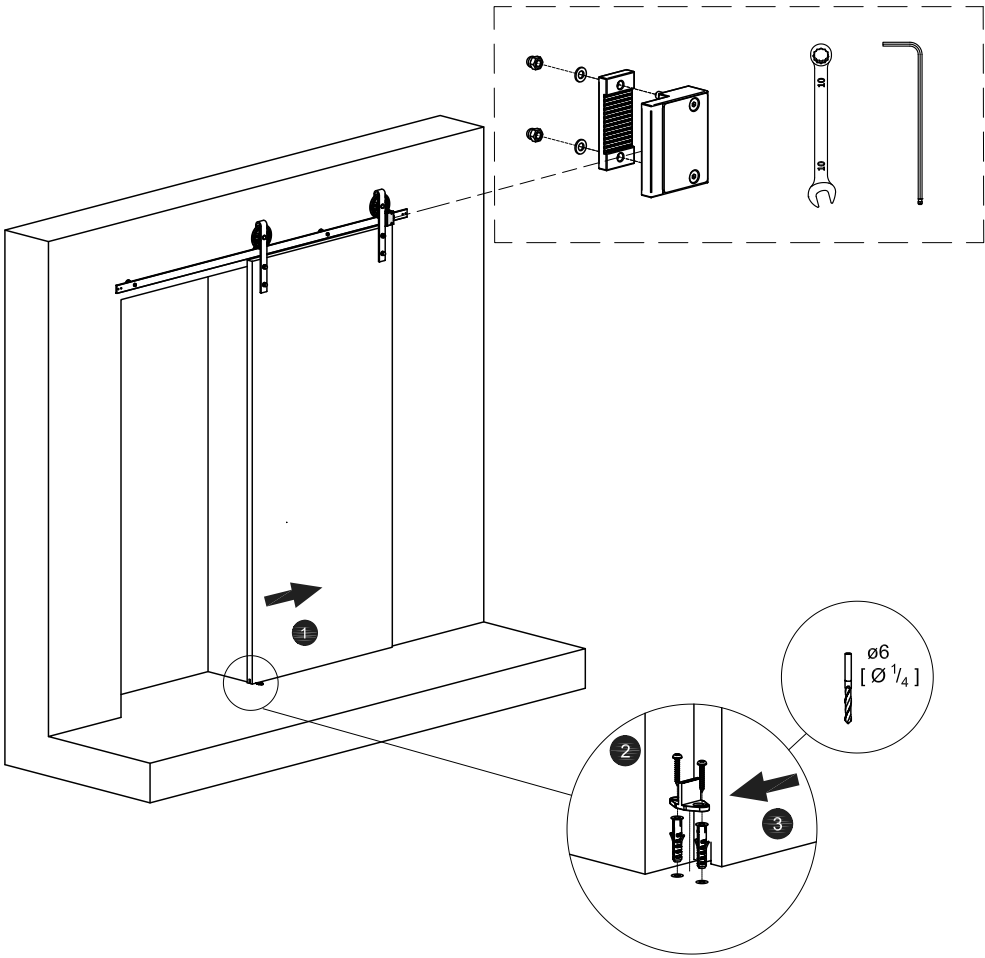
M10x60 s = $\begin{matrix} \text{Min. } 40 \\ \text{Max. } 45 \\ \text{Min. } 1\frac{9}{16} \\ \text{Max. } 1\frac{3}{4} \end{matrix}$
 $[s = \text{Max. } 1\frac{3}{4}]$



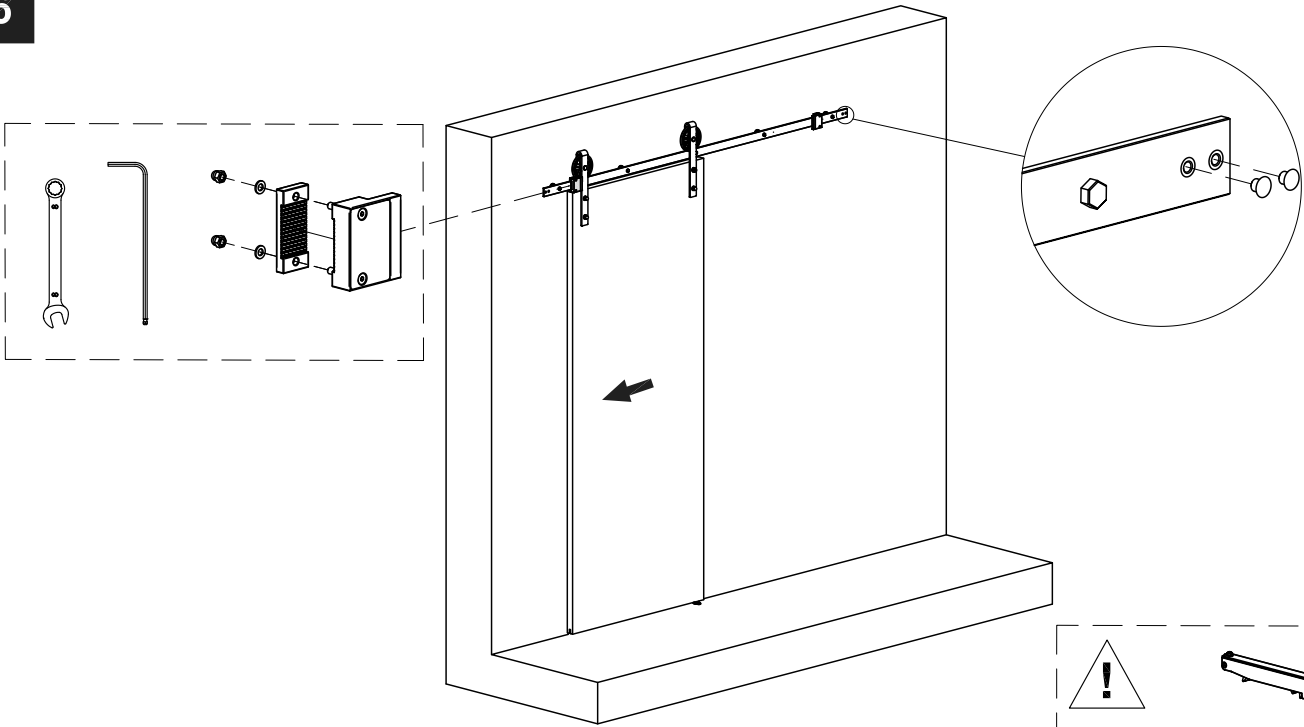
4



5



6



7

